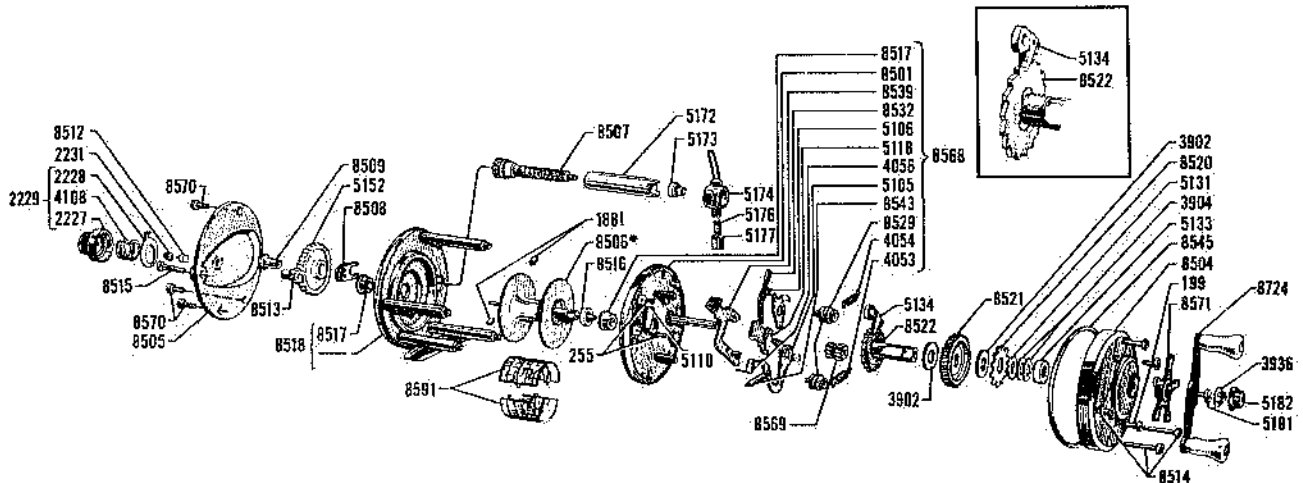
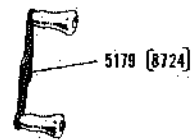


1844
A - (1844)
B - (1880)
C - (1881)



3000
67 - 11 - 03

SPARE PARTS ABU 3000

- | | | | |
|--------|-----------------------------------|--------|---|
| 199 | Pillar screw | 8501 | Right side inner plate |
| * 255 | Screw | 8504 | Right frame plate |
| 1844 | Brake block | 8505 | Left frame plate |
| 1880 | Brake block | 8506 | Spool |
| 1881 | Brake block | 8507 | Line carriage screw with bearing and cog wheel |
| * 2227 | Spool cap | 8508 | Locking washer for 8507 |
| * 2228 | Brake pointer | 8509 | Bearing for line carriage screw nut |
| 2229 | Left spool cap with 2228 and 4108 | 8512 | Brake washer |
| 2231 | Thrust cushion | 8513 | Left spool pinion |
| 3902 | Drag washer | 8514 | Screw for right side plate |
| 3904 | Spacing washer | 8515 | Screw for left side plate |
| * 3936 | Locking washer | 8516 | Axle bearing |
| 4053 | Locking arm coil spring | 8517 | Click washer |
| 4054 | Locking arm coil spring | 8518 | Frame |
| * 4056 | Coil spring for 5118 | 8520 | Click washer |
| * 4108 | Anti-backlash spring | 8521 | Main gear |
| * 5105 | Locking arm | 8522 | Main gear bushing with ratchet wheel |
| * 5106 | Locking arm | * 8529 | Distance bolt |
| * 5110 | Clamp | * 8532 | Lift-arm bearing |
| 5131 | Spring washer | * 8539 | Press arm |
| 5133 | Nylon bearing | 8543 | Coil spring |
| 5134 | Anti reverse dog | 8545 | Protective ring, right |
| 5152 | Cog wheel | 8568 | Right side plate with 4053, 4054, 4056, 5105, 5106, 5118, 8501, 8517, 8529, 8532, 8539 and 8543 |
| 5172 | Carriage guard | 8569 | Right spool pinion |
| * 5173 | Bearing | 8570 | Frame plate screw |
| 5174 | Line carriage | 8571 | Star wheel |
| 5176 | Carriage pawl | 8591 | Plastic arbor |
| 5177 | Line carriage nut | 8724 | Handle |
| * 5179 | Handle, brown | | |
| 5181 | Handle shaft screw | | |
| 5182 | Handle nut | | |

* Discontinued

Please specify reel model number and number in reel foot (6 figures) when ordering parts.

NOTE: Vide page 1:57!